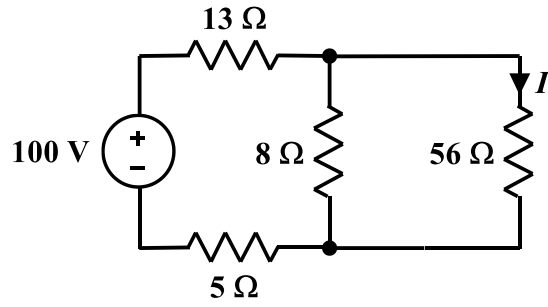


EE 2240  
**Homework Problem #013**



Determine the value of  $I$ .